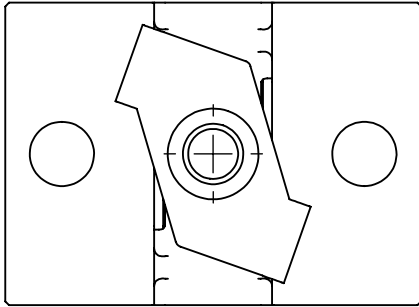


PRODUCT DATA SHEET



A) SPECIFICATIONS

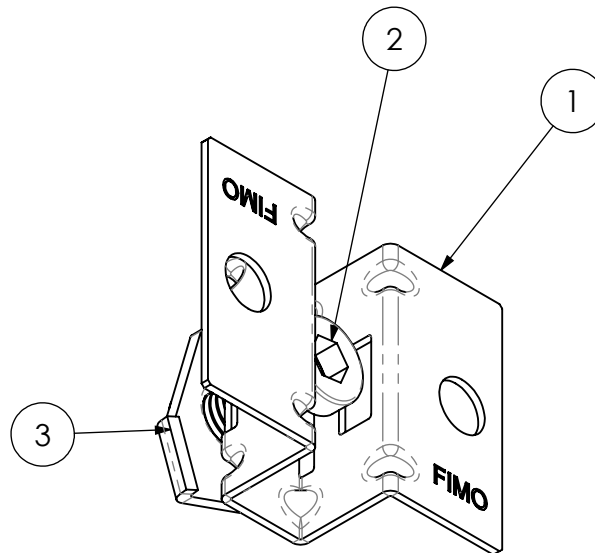
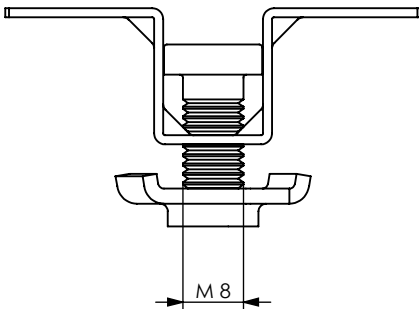
- 1 Stainless steel adaptor APU
- 2 Stainless steel screw VCI M8x20
- 3 Stainless steel sliding nut IS 8/16

B) PACKAGING INFORMATION

Packing in boxes.
Label indicating:
product code, article, quantity,
production batch,
FIMO logo and figure.
(Customer code on request).

C) MOUNTING INSTRUCTIONS

On request



code	6132210010
article	APC

100	0.0475kg

RI	DATE	DR	DATE	AP	Description: APC= adaptor for APU on PCI profile
02					
01					
00	17/01/2017	E.B.	17/01/2017	A.V.	
1 st EMISSION					
					Use: Hooking on "C" profile PCI 40x22.