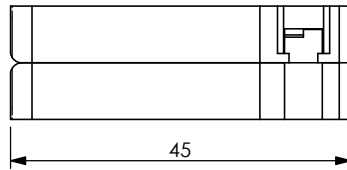
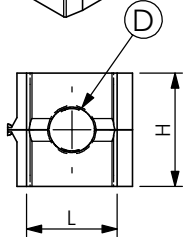
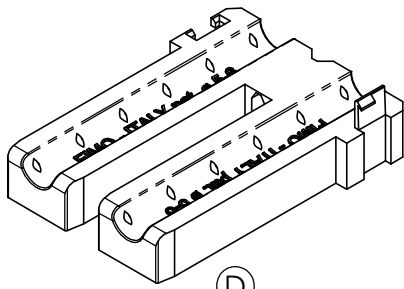
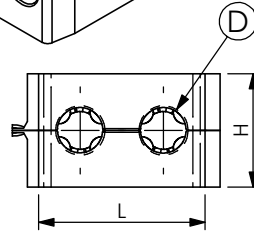
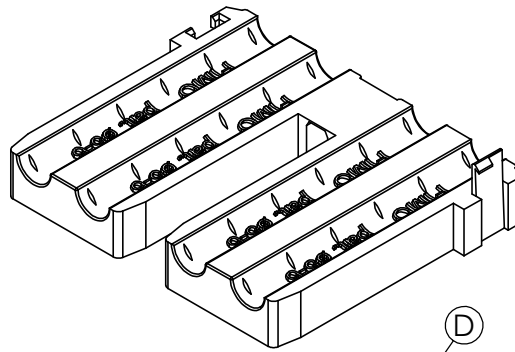


# PRODUCT DATA SHEET

## DAS



## DAT



### A) SPECIFICATIONS

P.A. U.V. resistant

### B) RESISTANCE TESTS

Operating temperature:  
-30°C + 120°C

### C) PACKAGING INFORMATION

Packing in boxes.  
Label indicating:  
product code, article, quantity,  
production batch,  
FIMO logo and figure.  
( Customer code on request ).

### D) MOUNTING INSTRUCTIONS

On request

CODE	ARTICLE	∅ D	H	L	B	BOX	WEIGHT
61 3320 2005	DAS 5	4 - 5	15	12	45	500	5
61 3320 2006	DAS 6	5 - 6	15	12	45	500	5
61 3320 2007	DAS 7	6 - 7	15	12	45	500	5
61 3320 2008	DAS 8	7 - 8	15	12	45	500	4,5
61 3320 2009	DAS 9	8 - 9	15	12	45	500	4
61 3320 2010	DAS 10	10 - 11	15	12	45	500	4
61 3320 2012	DAS 1/2" (17)	16 - 17	27	22	45	500	8
61 3320 2078	DAS 7/8" (28)	27 - 28	38	34	45	500	16
61 3320 2206	DAT 2x6	5 - 6	15	22	45	500	5,5
61 3320 2207	DAT 2x7	6 - 7	15	22	45	500	6
61 3320 2208	DAT 2x8	7 - 8	15	22	45	500	6
61 3320 2210	DAT 2x10	10 - 11	15	22	45	500	4,5

RI	DATE	DR	DATE	AP	Description:
02					<p>DAS- Calibrated Double Saddles with flexible hinge DAT- Calibrated Double Twin Saddles with flexible hinge</p> <p>The two hinged half saddles are calibrated on the diameter of coaxial cables. Its closure system allows a provisional locking onto the cable, allowing to slip and being introduced laterally inside the bow of the mRF cable clamp</p>
01					
00	15/12/16	G.S.	15/12/16	A.V.	
1 <sup>ST</sup> EMISSION					
