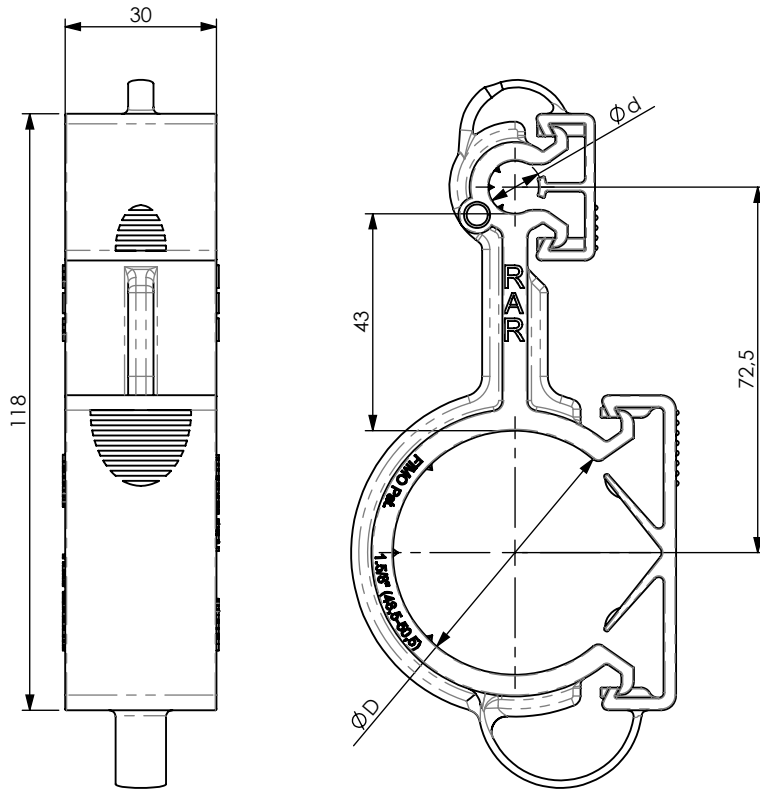


PRODUCT DATA SHEET



A) SPECIFICATIONS

Cable clamp. Material: PA6-VO, black colour, self extinguishing, halogen free (according Ao UL94-VO).

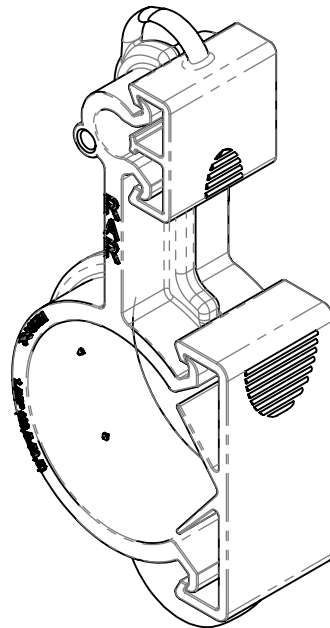
B) OPERATING TEMPERATURE

Working temperature : -40°C +125°C.
Installation temperature : -20°C +60°C.

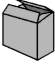

C) DELIVERY MODALITIES



Packing in boxes. Label indicating: product code, article, quantity, production batch, FIMO logo and figure. (Customer code on request).

D) MOUNTING INSTRUCTIONS IT 037



code	6150510158
article	RAR 1.5/8"-10

D	d		
48,5-50,5	9,5-10,5	50	0.0500kg

RI	DATE	DR	DATE	AP	Description: RAR 1.5/8"-10 Radiating Cable Clamps PATENT PENDING
02	01/02/2016	E.B.	01/02/2016	A.V.	
01	16/04/2014	E.B.	16/04/2014	A.V.	
00	17/12/2013	G.S.	17/12/2013	A.V.	
1 ST EMISSION					
 FIMO Setting Installation Standards		 RoHS Compliant. RoHS 2002/95/EC		Use: Hanging of radiating cables on steel/synthetic Ropes	