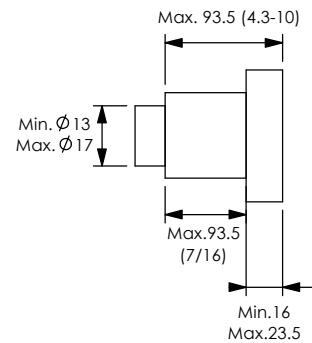
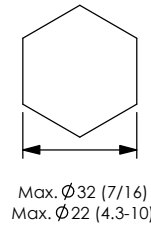
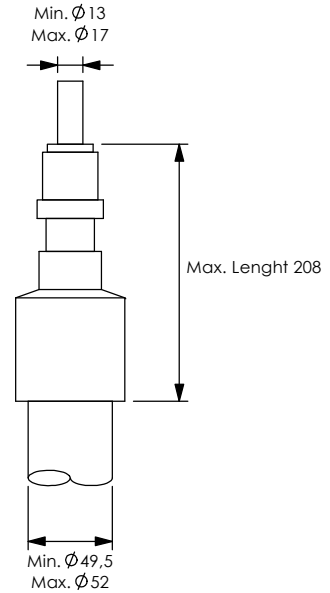


PRODUCT DATA SHEET

MATERIAL

Housing material : PC/PP Alloy
Sealing material: High Quality Silicon Gel
Plastic Parts: UV Resistant
Waterproof: IP68
Colour: Black
Operating temperature range: -40 C° / + 65 C°
Storage temperature range: -40 C° / + 65 C°



CODE	ARTICLE	JUMPER	FEEDER	ANTENNA CONNECTOR	BOX	WEIGHT
61 2204 0011	WP E 1/ 2" JTA 4.3-10	1/2" = 13 - 17	-	4.3-10 = 23mm (max)	-	56
61 2204 0012 S	WPE 1/2" JTA-S	1/2" = 13 - 17	-	7/16 = 26mm (max)	-	80
61 2204 0012	WPE 1/2" JTA	1/2" = 13 - 17	-	7/16 = 26mm (max)	-	120
61 2204 0078	WPE 7/8"	1/2" = 13 - 17	7/8" = 27 - 28	-	-	260
61 2204 0114	WPE 1.1/4"	1/2" = 13 - 17	1.1/4" = 38 - 40	-	-	320
61 2204 0158	WPE 1.5/8"	1/2" = 13 - 17	1. 5/8" = 49 - 52	-	-	400

RI	DATE	DR	DATE	AP	Description:
02					WPE- Waterproofing Enclosure
01	28/01/19	G.S.	28/01/19	A.V.	
	UPDATED				
00	24/03/16	G.S.	24/03/16	A.V.	
1 ST EMISSION					Use:
					WPE- Waterproofing Enclosure For Coaxial Cable Applications