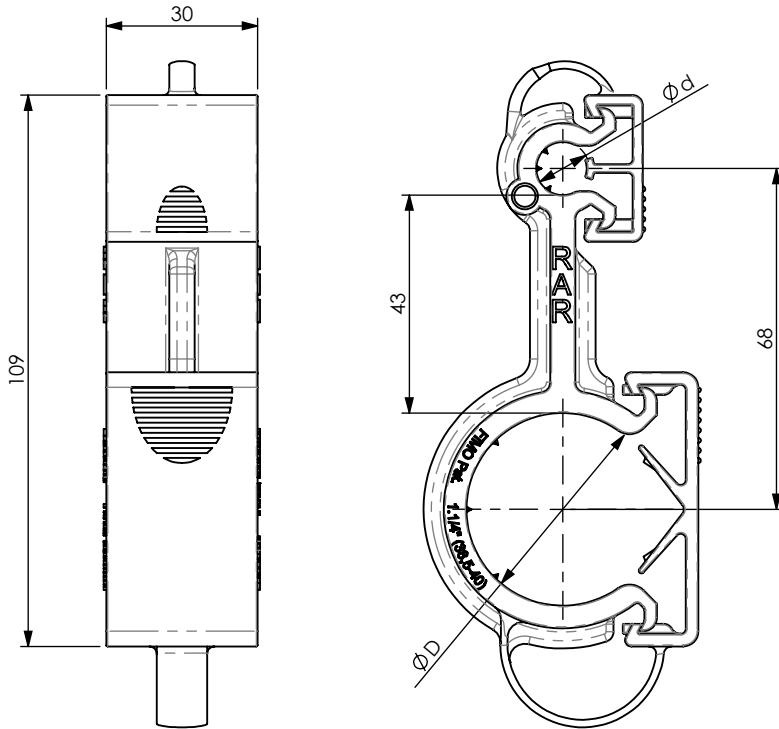


# PRODUCT DATA SHEET



## A) SPECIFICATIONS

Cable clamp. Material: PA6-VO, black colour, self extinguishing, halogen free (according to UL94-VO).

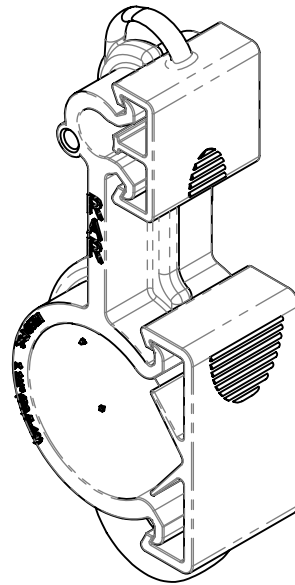
## B) OPERATING TEMPERATURE

Working temperature : -40°C +125°C.  
Installation temperature : -20°C +60°C.

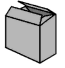

## C) DELIVERY MODALITIES



Packing in boxes. Label indicating: product code, article, quantity, production batch, FIMO logo and figure. ( Customer code on request ).

## D) MOUNTING INSTRUCTIONS IT 037



|         |                   |
|---------|-------------------|
| code    | <b>6150510114</b> |
| article | RAR 1.1/4"-10     |

|          |          |                                                                                       |                                                                                       |
|----------|----------|---------------------------------------------------------------------------------------|---------------------------------------------------------------------------------------|
| <b>D</b> | <b>d</b> |  |  |
| 38,5-40  | 9,5-10,5 | 50                                                                                    | 0.0455kg                                                                              |

| RI                                                                                  | DATE       | DR   | DATE       | AP   | Description:<br><br><b>RAR 1.1/4"-10<br/>Radiating Cable Clamps<br/>PATENT PENDING</b>                               |
|-------------------------------------------------------------------------------------|------------|------|------------|------|----------------------------------------------------------------------------------------------------------------------|
| 02                                                                                  | 16/04/2015 | E.B. | 16/04/2015 | A.V. |                                                                                                                      |
| 01                                                                                  | 03/04/2014 | E.B. | 03/04/2014 | A.V. |                                                                                                                      |
| 00                                                                                  | 17/12/2013 | E.B. | 17/12/2013 | A.V. |                                                                                                                      |
| 1 <sup>ST</sup> EMISSION                                                            |            |      |            |      | <br>Setting Installation Standards |
|  |            |      |            |      |                                                                                                                      |
|                                                                                     |            |      |            |      | Use: Hanging of radiating cables on steel/synthetic Ropes                                                            |