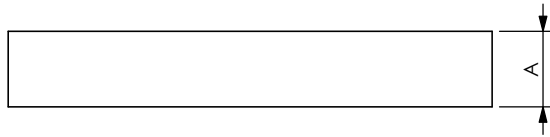


PRODUCT DATA SHEET



A) SPECIFICATIONS

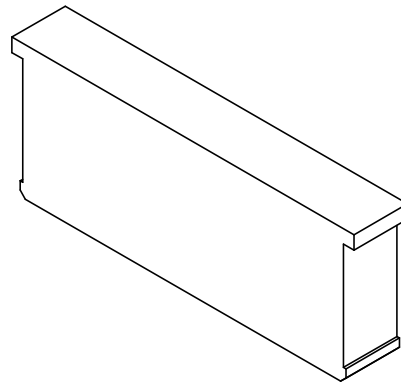
Material: EPDM
UV resistant.
Colour: black.

B) PACKAGING INFORMATION

Packing in boxes.
Label indicating:
product code, article, quantity,
production batch,
FIMO logo and figure.
(Customer code on request).

C) MOUNTING INSTRUCTIONS

On request



CODE	ARTICLE	A	B	BAG	BOX	WEIGHT
61 0120 0010	GPT 10	10	120	10	50	70
61 0120 0020	GPT 20	20	120	10	50	140

RI	DATE	DR	DATE	AP	Description:
02					GPT - Rectangular Cushions for PMR
01					
00	07/10/2011	E.B.	07/10/2011	A.V.	
1 ST EMISSION					
					Use: Rectangular cushions to complete the configuration of the PMR and COR wall entry, after the GPR cushions introduction.