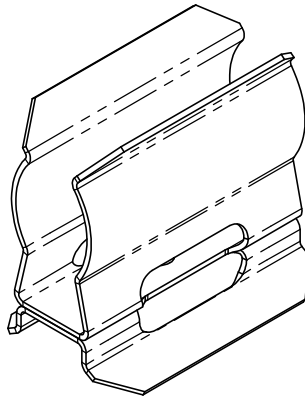
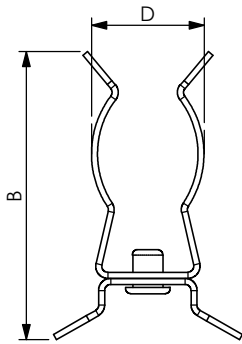


# PRODUCT DATA SHEET



## A) SPECIFICATIONS

Stainless steel

## B) PACKAGING INFORMATION

Packing in boxes.

Label indicating:

product code, article, quantity,

production batch,

FIMO logo and figure.

( Customer code on request ).

CODE	ARTICLE	FOR CABLES	N° CABLES	B	D	FOR SECTIONS	BAG	BOX	WEIGHT
61 1595 4013	EMC-U 13	1/4" - 1/2" S	1	32	∅ 9 ÷ 13		20	100	25
61 1595 4020	EMC-U 20	1/2" - 3/8"	1	37	∅ 15 ÷ 20		20	100	25
61 1595 4030	EMC-U 30	7/8" S - 7/8" - 7/8" M	1	50	∅ 27 ÷ 30		20	100	38
61 1595 4152	EMC-U 52	1.1/4" - 1.5/8"	1	75	∅ 39 ÷ 52		20	100	78

RI	DATE	DR	DATE	AP	Description:
02					<p><b>EMC - U</b> Snap-in Hangers</p> <p>For Electrical Cables and Pipes</p>
01					
00	29/01/16	G.S.	29/01/16	A.V.	
1 <sup>ST</sup> EMISSION					
					<p>Use:</p> <p>Universal hooking with hose clamps</p>