

PRODUCT DATA SHEET

A) SPECIFICATIONS

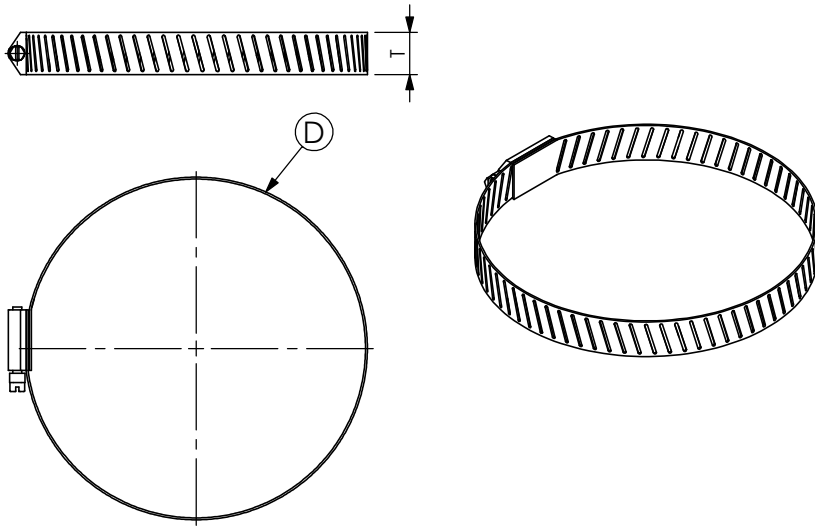
Stainless steel Hose clamps

B) ACCEPTANCE TEST

Visual and dimensional control on samples

C) PACKAGING INFORMATION

Packing in boxes.
Label indicating:
product code, article, quantity,
production batch,
FIMO logo and figure.
(Customer code on request).



CODE	ARTICLE	øD	T	BAG	BOX	WEIGHT
61 9000 9373	FAS 83/14	63 - 83	14	50	100	26
61 9000 9374	FAS 98/14	78 - 98	14	50	100	28
61 9000 9375	FAS 113/14	93 - 113	14	50	100	31
61 9000 9376	FAS 128/14	108 - 128	14	50	100	35
61 9000 9377	FAS 143/14	123 - 143	14	50	100	53
61 9000 9378	FAS 158/14	138 - 158	14	50	100	65
61 9000 9379	FAS 173/14	153 - 173	14	50	100	77
61 9000 9380	FAS 183/14	168 - 188	14	50	100	89
61 9000 9381	FAS 203/14	183 - 203	14	50	100	107

RI	DATE	DR	DATE	AP	Description: FAS - Hose clamps
02					
01					
00	29/01/16	G.S.	29/01/16	A.V.	
1 ST EMISSION					