

# PRODUCT DATA SHEET

## A) SPECIFICATIONS

1 Cable clamp. Material: PA6-VO, black colour, self extinguishing, halogen free (according to UL94-VO).

## B) OPERATING TEMPERATURE

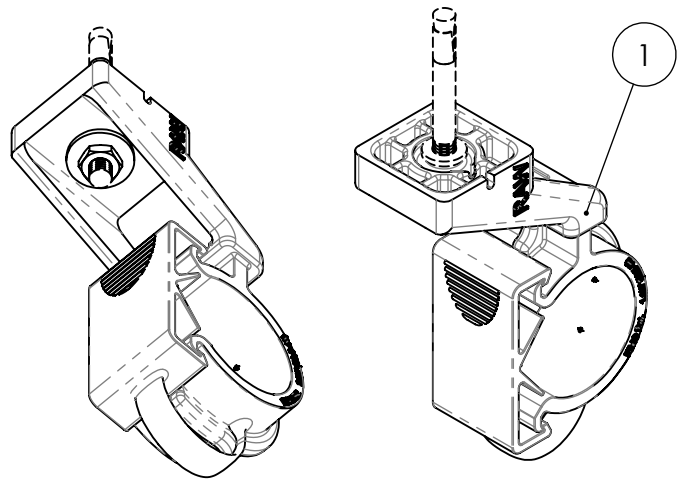
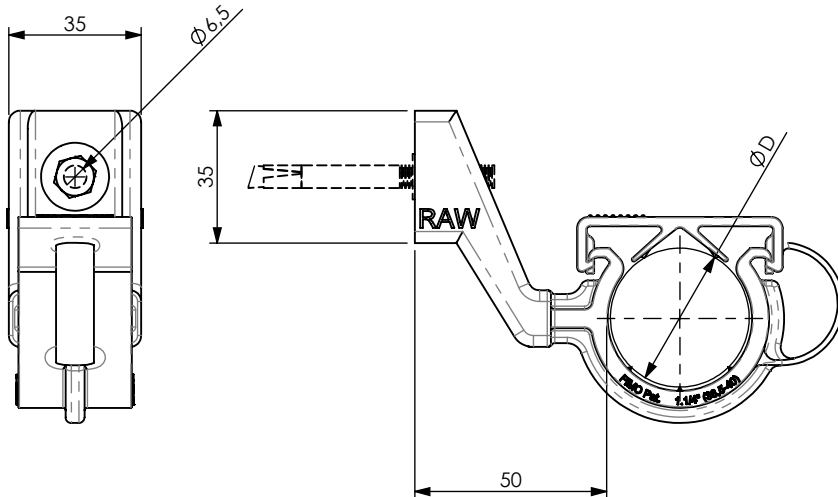
Working temperature : -40°C +125°C.  
Installation temperature : -20°C +60°C.

## C) DELIVERY MODALITIES

Packing in boxes. Label indicating: product code, article, quantity, production batch, FIMO logo and figure. ( Customer code on request ).

## D) MOUNTING INSTRUCTIONS

IT043



code	<b>6150015114</b>
article	RAW 1.1/4"-50

D		
38.5-40	50	0.0552kg

RI	DATE	DR	DATE	AP	Description:
02					<b>RAW 1.1/4"-50 Radiating Cable Clamps</b>
01					
00	05/12/2016	E.B.	05/12/2016	A.V.	
1 <sup>ST</sup> EMISSION					
					<i>Use: Horizontal or vertical installation of radiating cables in tunnel</i>  <i>* Suitable for installation in high speed railway tunnel application (350 km/h)</i>