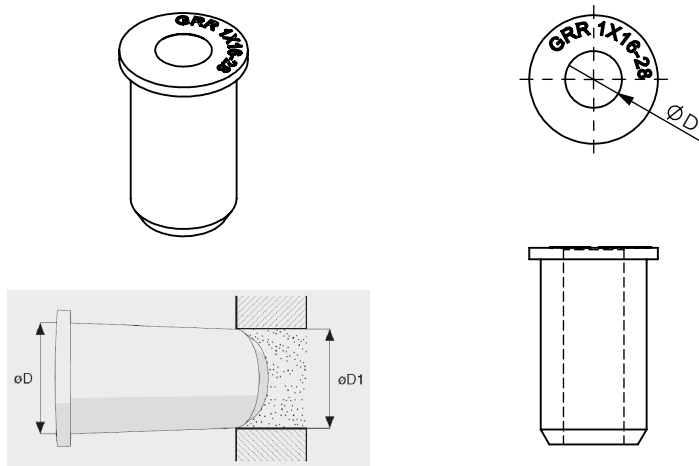


PRODUCT DATA SHEET



A) SPECIFICATIONS

Material: EPDM
UV resistant.
Colour: black.



B) PACKAGING INFORMATION

Packing in boxes.
Label indicating:
product code, article, quantity,
production batch,
FIMO logo and figure.
(Customer code on request).

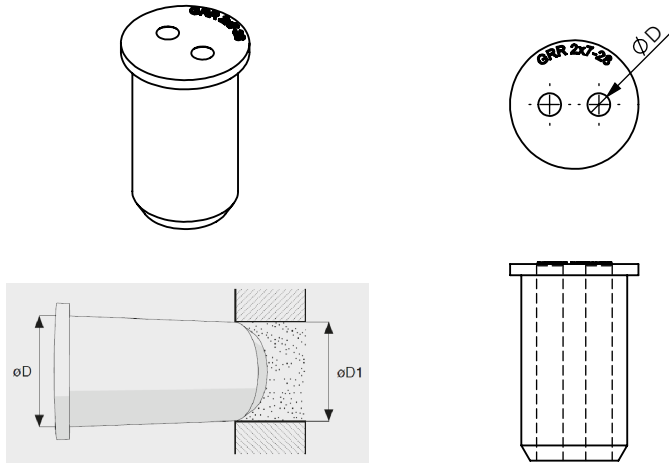
C) MOUNTING INSTRUCTIONS

On request

CODE	ARTICLE	ø D	ø D1	HOLES	ø d	BAG	BOX	WEIGHT
61 0828 1606	GRR 1x 6-16		15÷16	1	5÷7	10	50	11
61 0828 1116	GRR 1x 8-/11-16		15÷16	1	5÷7	10	50	11
61 0828 1611	GRR 1x 11-16		15÷16	1	10÷12	10	50	10
61 0828 1613	GRR 1x 13-16		15÷16	1	12÷14	10	50	9
61 0828 1016	GRR 1x 16-28	28	26÷28	1	15÷17	10	50	40
61 0828 1020	GRR 1x 20-28		26÷28	1	19÷21	10	50	38
61 0828 1022	GRR 1x 22-28		26÷28	1	21÷23	10	50	37
61 0838 1014	GRR 1x 1/4" - 40	40	38÷40	1	10÷11	10	50	61
61 0838 1012	GRR 1x 1/2" - 40		38÷40	1	16÷17	10	50	52
61 0838 1078	GRR 1x 7/8" - 40		38÷40	1	27÷29	10	50	30
61 0850 1040	GRR 1x40 - 50	50	48÷50	1	39÷40	10	50	40
61 0862 1014	GRR 1x 1/4" - 62	62	60÷62	1	10÷11	10	50	100
61 0862 1012	GRR 1x 1/2" - 62		60÷62	1	16÷17	10	50	108
61 0862 1078	GRR 1x 7/8" - 62		60÷62	1	27÷28	10	50	142
61 0862 1114	GRR 1x 1.1/4" - 62		60÷62	1	39÷40	10	50	100
61 0862 1158	GRR 1x 1.5/8" - 62		60÷62	1	50÷52	10	50	54
61 0890 1118	GRR 1x 1.1/8" - 90	90	88÷90	1	36÷38	10	50	275
61 0890 1114	GRR 1x 1.1/4" - 90		88÷90	1	39÷40	10	50	265
61 0890 1158	GRR 1x 1.5/8" - 90		88÷90	1	50÷52	10	50	248
61 0890 1214	GRR 1x 2.1/4" - 90		88÷90	1	59÷60	10	50	240
61 0890 1062	GRR 1x 62 - 90		88÷90	1	60÷62	10	50	238
61 0890 1300	GRR 1x 3" - 90		88÷90	1	75÷77	10	50	210
61 0899 1062	GRR 1x 62 - 100	100	89÷100	1	62	10	50	324
61 0185 0114	GRR 1x 114 - 185	185	183÷185	1	114	10	50	-
61 0185 0130	GRR 1x 130 - 185		183÷185	1	132	10	50	-
61 0185 0146	GRR 1x 146 - 185		183÷185	1	146	10	50	-
61 0185 0169	GRR 1x 169 - 185		183÷185	1	169	10	50	-

RI	DATE	DR	DATE	AP	Description:	
02					GRR - Round Cushions	
01						
00	07/10/2011	E.B.	07/10/2011	A.V.		
1 ST EMISSION						
						Use:
<i>Round Reduction Cushions</i>						

PRODUCT DATA SHEET



A) SPECIFICATIONS

Material: EPDM
UV resistant.
Colour: black.

B) PACKAGING INFORMATION

Packing in boxes.
Label indicating:
product code, article, quantity,
production batch,
FIMO logo and figure.
(Customer code on request).

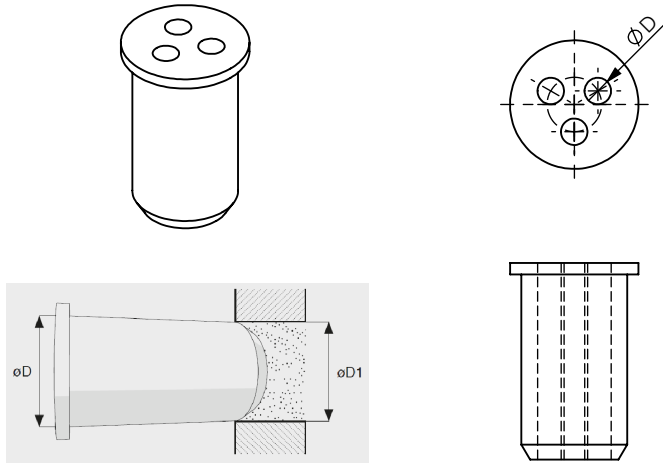
C) MOUNTING INSTRUCTIONS

On request

CODE	ARTICLE	ø D	ø D1	HOLES	ø d	BAG	BOX	WEIGHT
61 0828 2007	GRR 2x 7-28	28	26÷28	2	6÷7	10	50	37
61 0828 2008	GRR 2x 8-28		26÷28	2	7÷8	10	50	37
61 0828 2011	GRR 2x 11-28		26÷28	2	10÷12	10	50	35
61 0838 2014	GRR 2x 1/4"-40	40	38÷40	2	10÷11	10	50	38
61 0862 2014	GRR 2x 1/4" - 62	62	60÷62	2	10÷11	10	50	124
61 0862 2012	GRR 2x 1/2" - 62		60÷62	2	16÷17	10	50	124
61 0862 2078	GRR 2x 7/8" - 62		60÷62	2	27÷28	10	50	102

RI	DATE	DR	DATE	AP	Description:
02					GRR - Round Cushions
01					
00	18/10/17	E.B.	18/10/17	A.V.	
1 ST EMISSION					
					Use: Round Reduction Cushions

PRODUCT DATA SHEET



A) SPECIFICATIONS

Material: EPDM
UV resistant.
Colour: black.

B) PACKAGING INFORMATION

Packing in boxes.
Label indicating:
product code, article, quantity,
production batch,
FIMO logo and figure.
(Customer code on request).

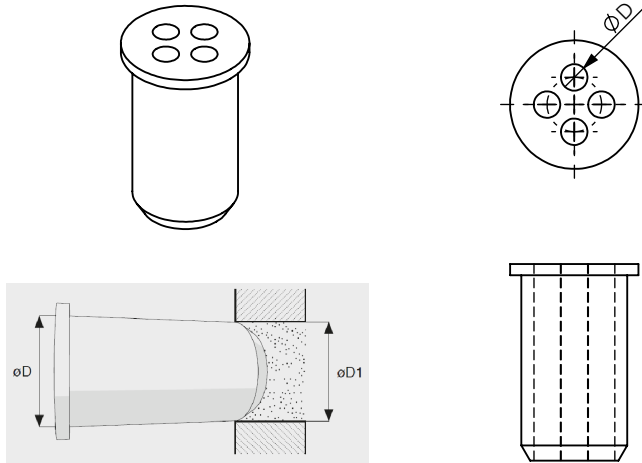
C) MOUNTING INSTRUCTIONS

On request

CODE	ARTICLE	ϕD	$\phi D1$	HOLES	ϕd	BAG	BOX	WEIGHT
61 0862 3012	GRR 3x 1/2" - 62	62	60÷62	3	16÷17	10	50	128
61 0862 3078	GRR 3x 7/8" - 62		60÷62	3	27÷28	10	50	74

RI	DATE	DR	DATE	AP	Description:
02					GRR - Round Cushions
01					
00	07/10/2011	E.B.	07/10/2011	A.V.	
1 ST EMISSION					
					Use: Round Reduction Cushions

PRODUCT DATA SHEET



A) SPECIFICATIONS

Material: EPDM
 UV resistant.
 Colour: black.

B) PACKAGING INFORMATION

Packing in boxes.
 Label indicating:
 product code, article, quantity,
 production batch,
 FIMO logo and figure.
 (Customer code on request).

C) MOUNTING INSTRUCTIONS

On request

CODE	ARTICLE	ϕD	$\phi D1$	HOLES	ϕd	BAG	BOX	WEIGHT
61 0862 4014	GRR 4x 1/4" - 62		60÷62	4	10÷11	10	50	142
61 0840 4013	GRR 4x 13" - 40	40	38÷40	4	12÷14	10	50	38
61 0890 4078	GRR 4x 7/8" - 90	90	88÷90	4	27÷28	10	50	218

RI	DATE	DR	DATE	AP	Description:
02					GRR - Round Cushions
01					
00	07/10/2011	E.B.	07/10/2011	A.V.	
1 ST EMISSION					
					Use: Round Reduction Cushions